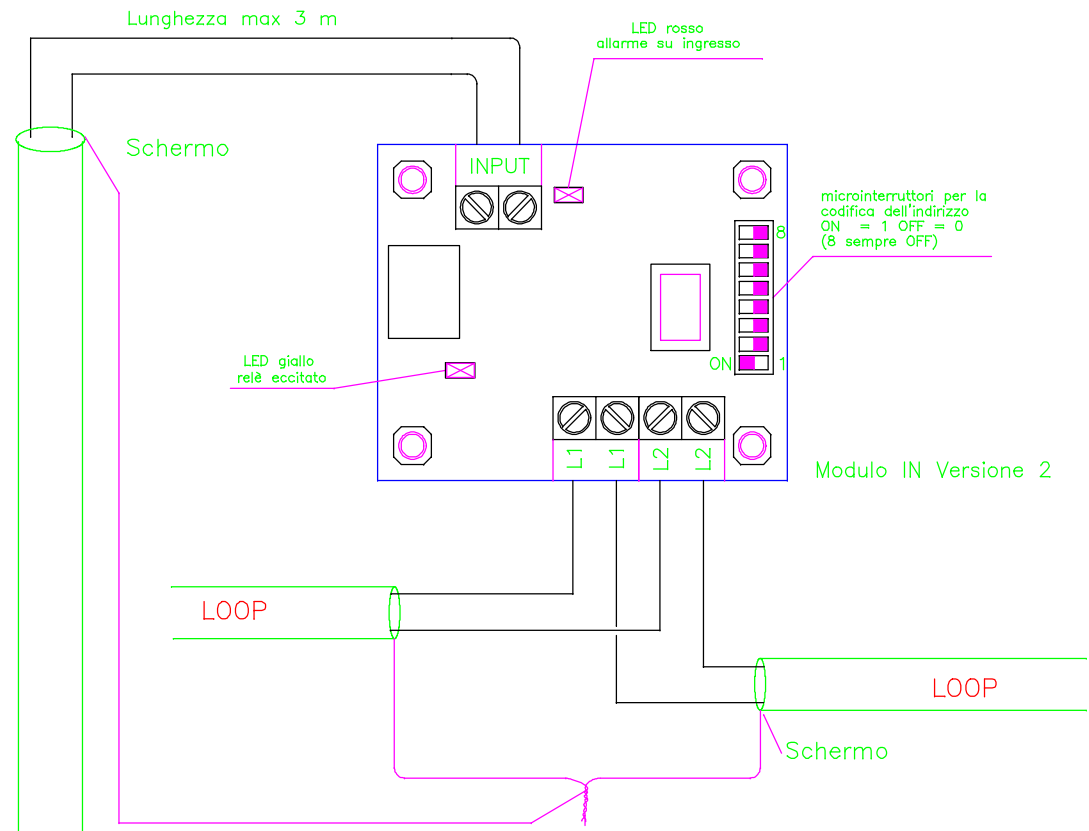
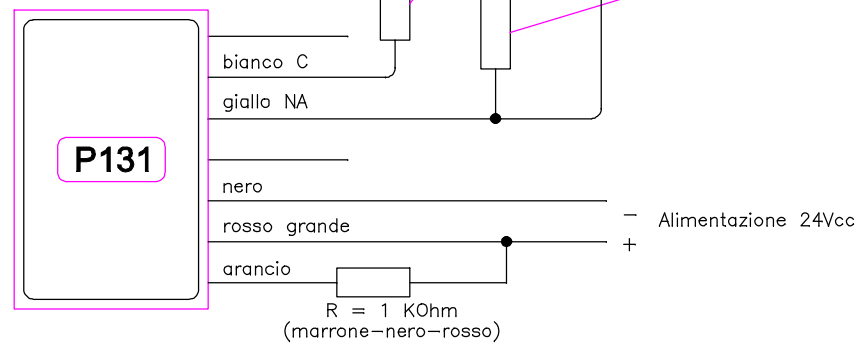


# CODIFICA INDIRIZZI

INDIRIZZO	POSIZIONE MICROINTERRUTTORI	INDIRIZZO	POSIZIONE MICROINTERRUTTORI	INDIRIZZO	POSIZIONE MICROINTERRUTTORI
	1 2 3 4 5 6 7		1 2 3 4 5 6 7		1 2 3 4 5 6 7
1	1 0 0 0 0 0 0	43	1 1 0 1 0 1 0	85	1 0 1 0 1 0 1
2	0 1 0 0 0 0 0	44	0 0 1 1 0 1 0	86	0 1 1 0 1 0 1
3	1 1 0 0 0 0 0	45	1 0 1 1 0 1 0	87	1 1 1 0 1 0 1
4	0 0 1 0 0 0 0	46	0 1 1 1 0 1 0	88	0 0 0 1 1 0 1
5	1 0 1 0 0 0 0	47	1 1 1 1 0 1 0	89	1 0 0 1 1 0 1
6	0 1 1 0 0 0 0	48	0 0 0 0 1 1 0	90	0 1 0 1 1 0 1
7	1 1 1 0 0 0 0	49	1 0 0 0 1 1 0	91	1 1 0 1 1 0 1
8	0 0 0 1 0 0 0	50	0 1 0 0 1 1 0	92	0 0 1 1 1 0 1
9	1 0 0 1 0 0 0	51	1 1 0 0 1 1 0	93	1 0 1 1 1 0 1
10	0 1 0 1 0 0 0	52	0 0 1 0 1 1 0	94	0 1 1 1 1 0 1
11	1 1 0 1 0 0 0	53	1 0 1 0 1 1 0	95	1 1 1 1 1 0 1
12	0 0 1 1 0 0 0	54	0 1 1 0 1 1 0	96	0 0 0 0 0 1 1
13	1 0 1 1 0 0 0	55	1 1 1 0 1 1 0	97	1 0 0 0 0 1 1
14	0 1 1 1 0 0 0	56	0 0 0 1 1 1 0	98	0 1 0 0 0 1 1
15	1 1 1 1 0 0 0	57	1 0 0 1 1 1 0	99	1 1 0 0 0 1 1
16	0 0 0 0 1 0 0	58	0 1 0 1 1 1 0	100	0 0 1 0 0 1 1
17	1 0 0 0 1 0 0	59	1 1 0 1 1 1 0	101	1 0 1 0 0 1 1
18	0 1 0 0 1 0 0	60	0 0 1 1 1 1 0	102	0 1 1 0 0 1 1
19	1 1 0 0 1 0 0	61	1 0 1 1 1 1 0	103	1 1 1 0 0 1 1
20	0 0 1 0 1 0 0	62	0 1 1 1 1 1 0	104	0 0 0 1 0 1 1
21	1 0 1 0 1 0 0	63	1 1 1 1 1 1 0	105	1 0 0 1 0 1 1
22	0 1 1 0 1 0 0	64	0 0 0 0 0 0 1	106	0 1 0 1 0 1 1
23	1 1 1 0 1 0 0	65	1 0 0 0 0 0 1	107	1 1 0 1 0 1 1
24	0 0 0 1 1 0 0	66	0 1 0 0 0 0 1	108	0 0 1 1 0 1 1
25	1 0 0 1 1 0 0	67	1 1 0 0 0 0 1	109	1 0 1 1 0 1 1
26	0 1 0 1 1 0 0	68	0 0 1 0 0 0 1	110	0 1 1 1 0 1 1
27	1 1 0 1 1 0 0	69	1 0 1 0 0 0 1	111	1 1 1 1 0 1 1
28	0 0 1 1 1 0 0	70	0 1 1 0 0 0 1	112	0 0 0 0 1 1 1
29	1 0 1 1 1 0 0	71	1 1 1 0 0 0 1	113	1 0 0 0 1 1 1
30	0 1 1 1 1 0 0	72	0 0 0 1 0 0 1	114	0 1 0 0 1 1 1
31	1 1 1 1 1 0 0	73	1 0 0 1 0 0 1	115	1 1 0 0 1 1 1
32	0 0 0 0 0 1 0	74	0 1 0 1 0 0 1	116	0 0 1 0 1 1 1
33	1 0 0 0 0 1 0	75	1 1 0 1 0 0 1	117	1 0 1 0 1 1 1
34	0 1 0 0 0 1 0	76	0 0 1 1 0 0 1	118	0 1 1 0 1 1 1
35	1 1 0 0 0 1 0	77	1 0 1 1 0 0 1	119	1 1 1 0 1 1 1
36	0 0 1 0 0 1 0	78	0 1 1 1 0 0 1	120	0 0 0 1 1 1 1
37	1 0 1 0 0 1 0	79	1 1 1 1 0 0 1	121	1 0 0 1 1 1 1
38	0 1 1 0 0 1 0	80	0 0 0 0 1 0 1	122	0 1 0 1 1 1 1
39	1 1 1 0 0 1 0	81	1 0 0 0 1 0 1	123	1 1 0 1 1 1 1
40	0 0 0 1 0 1 0	82	0 1 0 0 1 0 1	124	0 0 1 1 1 1 1
41	1 0 0 1 0 1 0	83	1 1 0 0 1 0 1	125	1 0 1 1 1 1 1
42	0 1 0 1 0 1 0	84	0 0 1 0 1 0 1		

NOTA:  
Un indirizzo non può essere assegnato a più di un elemento (rivelatore, pulsante o modulo)



FSP SISTEMI S.r.l.

RIVELATORE DI ALLAGAMENTO  
3000-P131

Schema di collegamento  
a Sistema TRIDENT

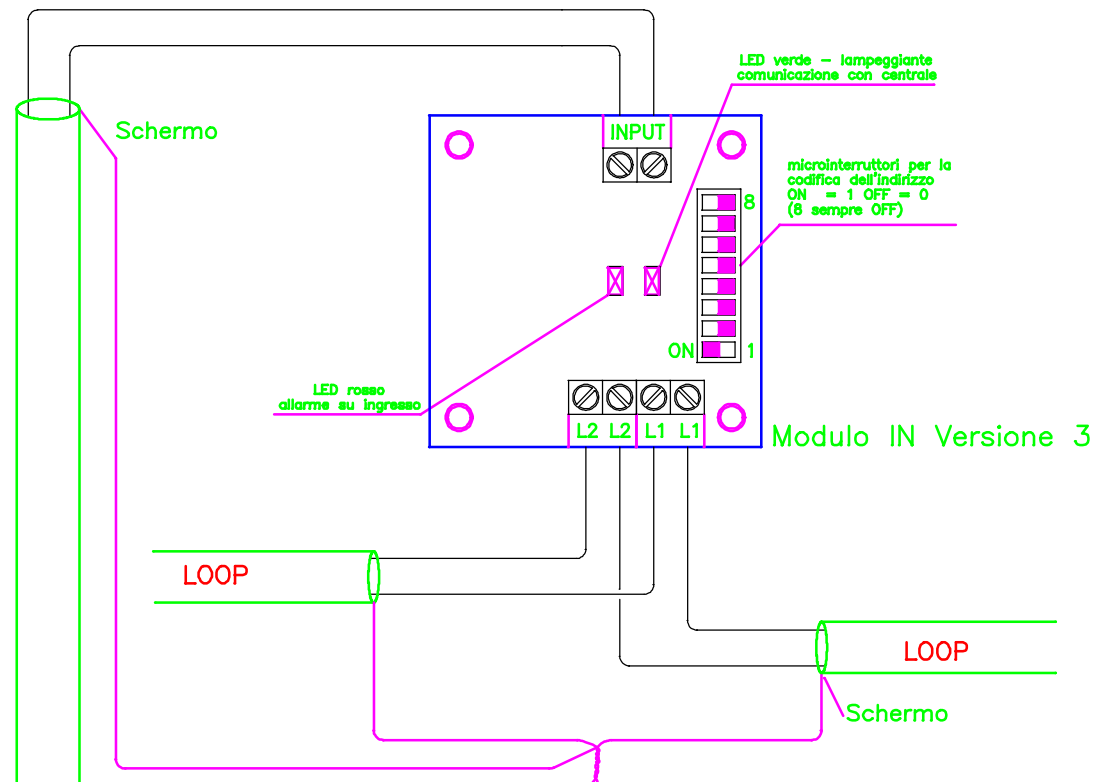
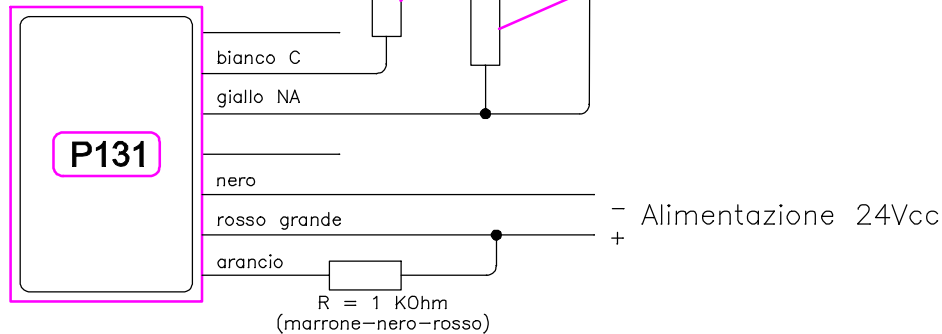
data: 05.06.2006

file: STD\_P131-INv2.dwg

## CODIFICA INDIRIZZI

INDIRIZZO	POSIZIONE							INDIRIZZO	POSIZIONE							INDIRIZZO	POSIZIONE						
	MICROINTERRUTTORI	1	2	3	4	5	6		7	MICROINTERRUTTORI	1	2	3	4	5		6	7	MICROINTERRUTTORI	1	2	3	4
1	1	0	0	0	0	0	0	43	1	1	0	1	0	1	0	85	1	0	1	0	1	0	1
2	0	1	0	0	0	0	0	44	0	0	1	1	0	1	0	86	0	1	1	0	1	0	1
3	1	1	0	0	0	0	0	45	1	0	1	1	0	1	0	87	1	1	1	0	1	0	1
4	0	0	1	0	0	0	0	46	0	1	1	1	0	1	0	88	0	0	0	1	1	0	1
5	1	0	1	0	0	0	0	47	1	1	1	1	0	1	0	89	1	0	0	1	1	0	1
6	0	1	1	0	0	0	0	48	0	0	0	0	1	1	0	90	0	1	0	1	1	0	1
7	1	1	1	0	0	0	0	49	1	0	0	0	1	1	0	91	1	1	0	1	1	0	1
8	0	0	0	1	0	0	0	50	0	1	0	0	1	1	0	92	0	0	1	1	1	0	1
9	1	0	0	1	0	0	0	51	1	1	0	0	1	1	0	93	1	0	1	1	1	0	1
10	0	1	0	1	0	0	0	52	0	0	1	0	1	1	0	94	0	1	1	1	1	0	1
11	1	1	0	1	0	0	0	53	1	0	1	0	1	1	0	95	1	1	1	1	1	0	1
12	0	0	1	1	0	0	0	54	0	1	1	0	1	1	0	96	0	0	0	0	0	1	1
13	1	0	1	1	0	0	0	55	1	1	1	0	1	1	0	97	1	0	0	0	0	1	1
14	0	1	1	1	0	0	0	56	0	0	0	1	1	1	0	98	0	1	0	0	0	1	1
15	1	1	1	1	0	0	0	57	1	0	0	1	1	1	0	99	1	1	0	0	0	1	1
16	0	0	0	1	0	0	0	58	0	1	0	1	1	1	0	100	0	1	0	0	0	1	1
17	1	0	0	1	0	0	0	59	1	1	0	1	1	1	0	101	1	0	1	0	0	1	1
18	0	1	0	0	1	0	0	60	0	0	1	1	1	1	0	102	0	1	1	0	0	1	1
19	1	1	0	0	1	0	0	61	1	0	1	1	1	1	0	103	1	1	1	0	0	1	1
20	0	0	1	0	1	0	0	62	0	1	1	1	1	1	0	104	0	0	0	1	0	1	1
21	1	0	1	0	1	0	0	63	1	1	1	1	1	1	0	105	1	0	0	1	0	1	1
22	0	1	1	0	1	0	0	64	0	0	0	0	0	0	1	106	0	1	0	1	0	1	1
23	1	1	1	0	1	0	0	65	1	0	0	0	0	0	1	107	1	1	0	1	0	1	1
24	0	0	0	1	1	0	0	66	0	1	0	0	0	0	1	108	0	0	1	1	0	1	1
25	1	0	0	1	1	0	0	67	1	1	0	0	0	0	1	109	1	0	1	1	0	1	1
26	0	1	0	1	1	0	0	68	0	0	1	0	0	0	1	110	0	1	1	1	0	1	1
27	1	1	0	1	1	0	0	69	1	0	1	0	0	0	1	111	1	1	1	0	1	1	1
28	0	0	1	1	1	0	0	70	0	1	1	0	0	0	1	112	0	0	0	0	1	1	1
29	1	0	1	1	1	0	0	71	1	1	1	0	0	0	1	113	1	0	0	0	1	1	1
30	0	1	1	1	1	0	0	72	0	0	0	1	0	0	1	114	0	1	0	0	1	1	1
31	1	1	1	1	1	0	0	73	1	0	0	1	0	0	1	115	1	1	0	0	1	1	1
32	0	0	0	0	0	1	0	74	0	1	0	1	0	0	1	116	0	0	1	0	1	1	1
33	1	0	0	0	0	1	0	75	1	1	0	1	0	0	1	117	1	0	1	0	1	1	1
34	0	1	0	0	0	1	0	76	0	0	1	1	0	0	1	118	0	1	1	0	1	1	1
35	1	1	0	0	0	1	0	77	1	0	1	1	0	0	1	119	1	1	1	0	1	1	1
36	0	0	1	0	0	1	0	78	0	1	1	1	0	0	1	120	0	0	0	1	1	1	1
37	1	0	1	0	0	1	0	79	1	1	1	1	0	0	1	121	1	0	0	1	1	1	1
38	0	1	1	0	0	1	0	80	0	0	0	0	1	0	1	122	0	1	0	1	1	1	1
39	1	1	1	0	0	1	0	81	1	0	0	0	1	0	1	123	1	1	0	1	1	1	1
40	0	0	0	1	0	1	0	82	0	1	0	0	1	0	1	124	0	0	1	1	1	1	1
41	1	0	0	1	0	1	0	83	1	1	0	0	1	0	1	125	1	0	1	1	1	1	1
42	0	1	0	1	0	1	0	84	0	0	1	0	1	0	1								

**NOTA:**  
Un indirizzo non può essere assegnato a più di un elemento (rivelatore, pulsante o modulo)



**FSP SISTEMI S.r.l.**

**RIVELATORE DI ALLAGAMENTO  
3000-P131**

Schema di collegamento  
a Sistema TRIDENT

data: 19.11.2009

file: STD\_P131-INv3.dwg