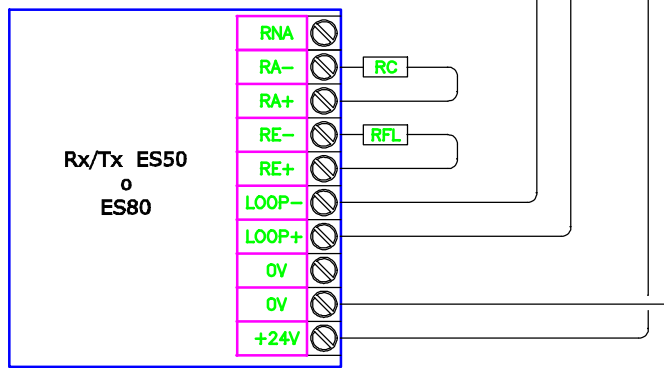
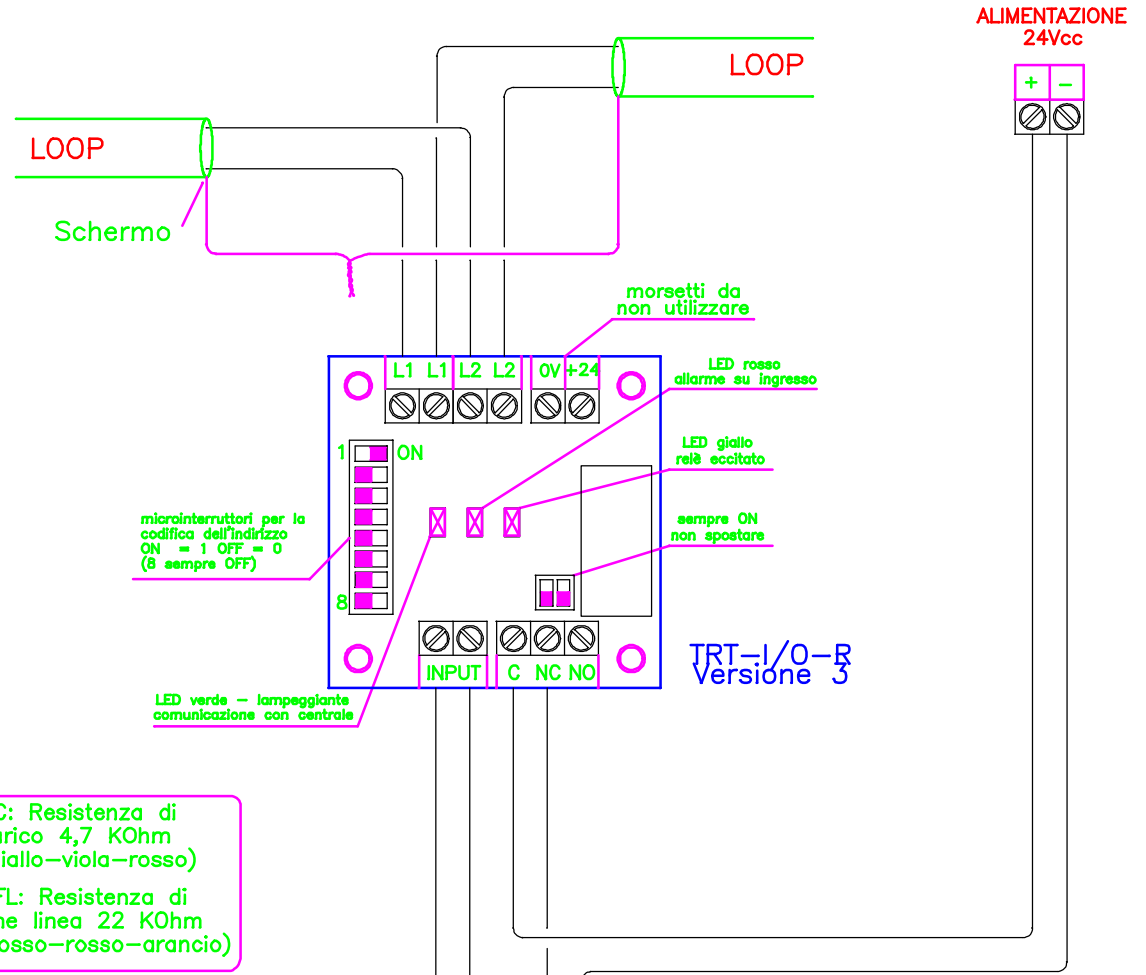


CODIFICA INDIRIZZI

INDIRIZZO	POSIZIONE							INDIRIZZO	POSIZIONE							INDIRIZZO	POSIZIONE						
	1	2	3	4	5	6	7		1	2	3	4	5	6	7		1	2	3	4	5	6	7
1	1	0	0	0	0	0	0	43	1	1	0	1	0	1	0	85	1	0	1	0	1	0	1
2	0	1	0	0	0	0	0	44	0	0	1	1	0	1	0	86	0	1	1	0	1	0	1
3	1	1	0	0	0	0	0	45	1	0	1	1	0	1	0	87	1	1	1	0	1	0	1
4	0	0	1	0	0	0	0	46	0	1	1	1	0	1	0	88	0	0	0	1	1	0	1
5	1	0	1	0	0	0	0	47	1	1	1	1	0	1	0	89	1	0	0	1	1	0	1
6	0	1	1	0	0	0	0	48	0	0	0	0	1	1	0	90	0	1	0	1	1	0	1
7	1	1	1	0	0	0	0	49	1	0	0	0	1	1	0	91	1	1	0	1	1	0	1
8	0	0	0	1	0	0	0	50	0	1	0	0	1	1	0	92	0	0	1	1	1	0	1
9	1	0	0	1	0	0	0	51	1	1	0	0	1	1	0	93	1	0	1	1	1	0	1
10	0	1	0	1	0	0	0	52	0	0	1	0	1	1	0	94	0	1	1	1	1	0	1
11	1	1	0	1	0	0	0	53	1	0	1	0	1	1	0	95	1	1	1	1	1	0	1
12	0	0	1	1	0	0	0	54	0	1	1	0	1	1	0	96	0	0	0	0	0	1	1
13	1	0	1	1	0	0	0	55	1	1	1	0	1	1	0	97	1	0	0	0	0	1	1
14	0	1	1	1	0	0	0	56	0	0	0	1	1	1	0	98	0	1	0	0	0	1	1
15	1	1	1	1	0	0	0	57	1	0	0	1	1	1	0	99	1	1	0	0	0	1	1
16	0	0	0	0	1	0	0	58	0	1	0	1	1	1	0	100	0	0	1	0	0	1	1
17	1	0	0	0	1	0	0	59	1	1	0	1	1	1	0	101	1	0	1	0	0	1	1
18	0	1	0	0	1	0	0	60	0	0	1	1	1	1	0	102	0	1	1	0	0	1	1
19	1	1	0	0	1	0	0	61	1	0	1	1	1	1	0	103	1	1	1	0	0	1	1
20	0	0	1	0	1	0	0	62	0	1	1	1	1	1	0	104	0	0	0	1	0	1	1
21	1	0	1	0	1	0	0	63	1	1	1	1	1	1	0	105	1	0	0	1	0	1	1
22	0	1	1	0	1	0	0	64	0	0	0	0	0	0	1	106	0	1	0	1	0	1	1
23	1	1	1	0	1	0	0	65	1	0	0	0	0	0	1	107	1	1	0	1	0	1	1
24	0	0	0	1	1	0	0	66	0	1	0	0	0	0	1	108	0	0	1	1	0	1	1
25	1	0	0	1	1	0	0	67	1	1	0	0	0	0	1	109	1	0	1	1	0	1	1
26	0	1	0	1	1	0	0	68	0	0	1	0	0	0	1	110	0	1	1	1	0	1	1
27	1	1	0	1	1	0	0	69	1	0	1	0	0	0	1	111	1	1	1	1	0	1	1
28	0	0	1	1	1	0	0	70	0	1	1	0	0	0	1	112	0	0	0	0	1	1	1
29	1	0	1	1	1	0	0	71	1	1	1	0	0	0	1	113	1	0	0	0	1	1	1
30	0	1	1	1	1	0	0	72	0	0	0	1	0	0	1	114	0	1	0	0	1	1	1
31	1	1	1	1	1	0	0	73	1	0	0	1	0	0	1	115	1	1	0	0	1	1	1
32	0	0	0	0	0	1	0	74	0	1	0	1	0	0	1	116	0	0	1	0	1	1	1
33	1	0	0	0	0	1	0	75	1	1	0	1	0	0	1	117	1	0	1	0	1	1	1
34	0	1	0	0	0	1	0	76	0	0	1	1	0	0	1	118	0	1	1	0	1	1	1
35	1	1	0	0	0	1	0	77	1	0	1	1	0	0	1	119	1	1	1	0	1	1	1
36	0	0	1	0	0	1	0	78	0	1	1	1	0	0	1	120	0	0	0	1	1	1	1
37	1	0	1	0	0	1	0	79	1	1	1	1	0	0	1	121	1	0	0	1	1	1	1
38	0	1	1	0	0	1	0	80	0	0	0	0	1	0	1	122	0	1	0	1	1	1	1
39	1	1	1	0	0	1	0	81	1	0	0	0	1	0	1	123	1	1	0	1	1	1	1
40	0	0	0	1	0	1	0	82	0	1	0	0	1	0	1	124	0	0	1	1	1	1	1
41	1	0	0	1	0	1	0	83	1	1	0	0	1	0	1	125	1	0	1	1	1	1	1
42	0	1	0	1	0	1	0	84	0	0	1	0	1	0	1								

NOTE:
 Un indirizzo non può essere assegnato a più di un elemento (rivelatore, pulsante o modulo).
 Per avere il reset del rivelatore, nella programmazione della centrale, abbinare l'uscita al gruppo I/O attivato dall'ingresso.



FSP SISTEMI S.r.l.

**RIVELATORI LINEARI DI FUMO
 ES50/ES80**

**Schema di collegamento
 a sistema TRIDENT**

data: 03.11.2009 file: STD_ES-I0v3.dwg